



Bobcat®

COMPACT EXCAVATORS

E85 R

Operating Weight	8767 kg
Engine Power	49.2 kw
Bucket Capacity	0.23m ³



Scan the code to watch E85 R video

One Tough Animal®

E85 R — SPECIFICATIONS

Weights

Operating weight (ISO 6016)	8767 kg
Ground pressure with rubber tracks	34.34 kPa

Engine

Make / model	Doosan / 2.4L Bobcat Engine (Tier 4)
Fuel	Diesel
Number of cylinders	4
Displacement	2.4 L
Maximum power (SAE J1995)	49.2 kW (65.9 HP)
Maximum torque (SAE J1995)	251.5 Nm

Performance

Digging force, arm (ISO 6015)	36,712 N
Digging force, bucket (ISO 6015)	72,368 N
Drawbar pull	68,564 N
Travel speed (low)	2.7 km/h
Travel speed (high)	4.7 km/h

Hydraulic System

Pump type	Variable displacement piston pump with pressure compensating, load sensing and torque limiter control
Pump capacity	149.0 L/min
Auxiliary flow	95.0 L/min
Auxiliary relief	210.0 bar

Swing System

Boom swing (left)	64.0°
Boom swing (right)	61.0°
Swing speed	9.0 RPM

Fluid Capacities

Cooling system	10.0 L
Engine lubrication plus oil filter	8.6 L
Fuel tank	116.0 L
Hydraulic system	62.6 L

Standard Features

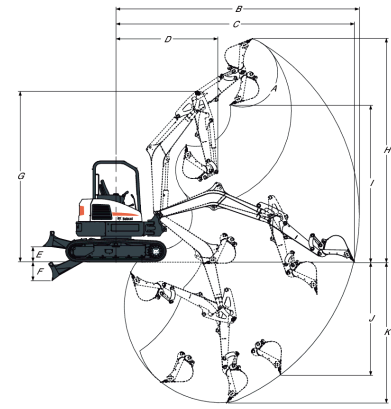
2200 mm dozer blade	Horn
450 mm rubber track	Full fuel warning alarm
Auto idle	Hydraulic joystick controls
Auto shift travel	Retractable seat belt
Auxiliary hydraulics with quick couplers on boom	Cloth suspension seat
Control console locks	TOPS/ROPS cab with air conditioner ¹
Cupholder	FM/AM MP3 radio
Engine auto shutdown	Work light
2nd auxiliary hydraulics	Geith coupler
Boom and arm load holding valve	

1. Roll Over Protective Structure (ROPS) – Meets requirements of ISO 3471. Tip Over Protective Structure (TOPS) – Meets requirements of ISO 12117.

Options

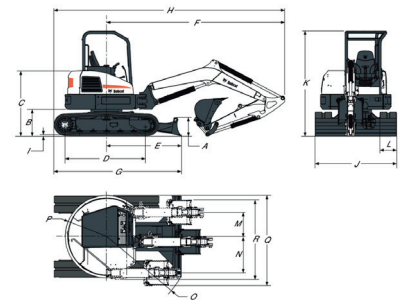
7" DLX display	Beacon kit
Keyless ignition	Mirror kit
Hydraulic clamp	Depth check kit
Counterweight add-on	Work light kit, front & rear
	Radio kit

Working Range



(A)	182.0°	(G)	5057.0 mm
(B)	7367.0 mm	(H)	6905.0 mm
(C)	7235.0 mm	(I)	5027.0 mm
(D)	2809.0 mm	(J)	3392.0 mm
(E)	425.0 mm	(K)	4694.0 mm
(F)	382.0 mm		

Dimensions



(A)	447.0 mm	(J)	2200.0 mm
(B)	710.0 mm	(K)	2658.0 mm
(C)	1667.0 mm	(L)	450.0 mm
(D)	2219.0 mm	(M)	622.0 mm
(E)	1904.0 mm	(N)	907.0 mm
(F)	4883.0 mm	(O)	2351.0 mm
(G)	2860.0 mm	(P)	1430.0 mm
(H)	6316.0 mm	(Q)	2527.0 mm
(I)	28.0 mm	(R)	2200.0 mm



Bobcat is a Doosan Company.

Doosan is a global leader in construction equipment, power & water solutions, engines, and engineering proudly serving customers and communities for more than a century. | Bobcat and the Bobcat logo are registered trademarks of Bobcat Company in the United States and various other countries.
©2020 Bobcat Company. All Rights Reserved.



Bobcat®

Doosan Bobcat Korea Co., Ltd.
www.bobcat.com

Certain specification(s) are based on engineering calculations and are not actual measurements. Specification(s) are provided for comparison purposes only and are subject to change without notice. Specification(s) for your individual Bobcat equipment will vary based on normal variations in design, manufacturing, operating conditions, and other factors. Pictures of Bobcat units may show other than standard equipment.