



Bobcat[®]

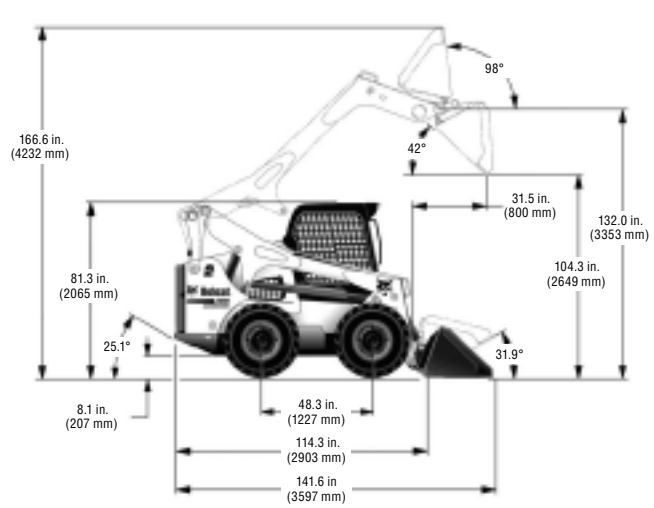
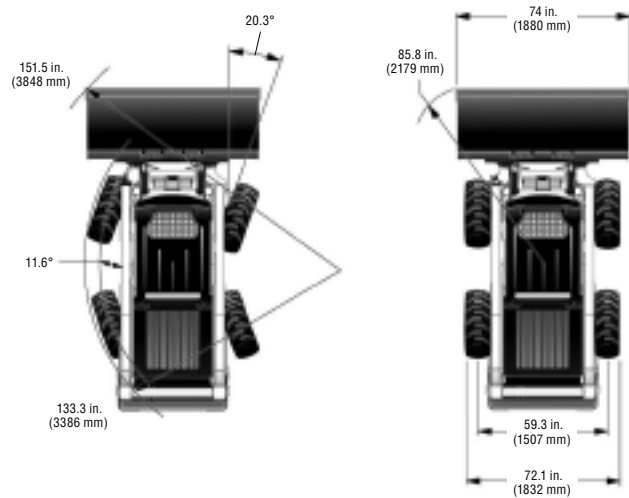
New A770 All-Wheel Steer Loader



One Tough Animal[™]

Specifications

Loader	A770
Loader Series	M-Series
Rated Operating Capacity (ROC)	3325 lb. (1508 kg)
ROC with Counterweight (optional)	Counterweight kits are available to increase ROC. See dealer on available kits and ROC increases for your loader.
Tipping Load	6650 lb. (3016 kg)
Height to Hinge Pin	132 in. (3353 mm)
Lift Arm Path	Vertical
Size and Speed	
Operating Weight	9460 lb. (4291 kg)
Bucket Width	74 in. (1880 mm)
Cab Height	81.3 in. (2065 mm)
Travel Speed - Low Range	7.1 mph (11.4 km/hr.)
Travel Speed - High Range	12.3 mph (19.8 km/hr.)
Engine	Tier III Compliant
Horsepower	92 hp
Type	Turbo Diesel
Fuel Tank Capacity	27.2 gal (103.1 L)
Uptime Protection	
Axle Grease	Never
Required Chain Adjustment	Never
Standard Features	
Axle Seal Protection	Front and Rear Work Lights
Back-up Alarm & Horn	Horsepower Management
Bob-Tach™ Mounting System	Machine Shutdown Protection
Bobcat Interlock Control System (BICS™)	Mechanical Suspension Seat
Bobcat SmartFAN™	Pressure Release Hydraulic Quick Couplers
Bobcat Standard Duty	ROPS/FOPS Approved Cab Structure
Dual Path Cooling System	Speed Management
Dual Steering Mode (All-Wheel Steer or Skid-Steer)	2-Speed
Fingertip Auxiliary Hydraulics Control	
Options/Accessories	
Air Ride Seat	Deluxe Instrumentation (includes Keyless Start)
Attachment Control Kit	Hydraulic Bucket Positioning
Bobcat Heavy Duty	Power Bob-Tach™
Bobcat Severe Duty	Radio
Bobcat Super Float	Radio Remote Control
Cab with Heat	Ride Control
Cab with Heat & Air Conditioning	Sound Reduction Package
Features for Attachments	
Hydraulic System Pressure	3500 psi
Hydraulic Standard Flow	23.7 gpm (87.1 L/min.)
Hydraulic High Flow (optional)	36.5 gpm (138.2 L/min.)



All-wheel or skid-steer, and more power to boot.

Bobcat continues its heritage of giving you more ways to get the job done, with the powerful new A770 – the only compact loader in the industry that offers both all-wheel steer and skid-steer capabilities.

The A770 has more lifting power, higher reach and improved hydraulic flow for greater on-the-job performance and productivity. This new 700 platform all-wheel steer loader also lets you switch from turf-saving all-wheel steer to ultra-maneuverable skid-steer at the touch of a button – a Bobcat exclusive.

The new A770 delivers an incredible 11 feet of vertical lift, 23.7 gpm standard hydraulic flow and 36.5 gpm high flow with 3,500 psi hydraulic relief pressure, giving you the power and reach you need for the most demanding tasks.

The A770 features the latest Bobcat Comfort Cab improvements, including cab-forward design, better visibility, a cleaner, quieter pressurized working environment, and optional radio and air suspension seat.

Serviceability improvements include an easier-to-clean cooling system, more efficient hydraulics with an easy-to-read level indicator, and end-greased pins at vital locations. Uptime protection improvements include a redesigned rear bumper and integrated quick couplers to keep you rolling with minimum maintenance time.

NOTE - Where applicable, dimensions are in accordance with Society of Automotive Engineers (SAE) and ISO standards. Specifications and design are subject to change without notice. Pictures of Bobcat units may show other than standard equipment. All dimensions are given for loader equipped with standard tires. All dimensions are shown in inches. Respective metric dimensions are enclosed by parentheses. Bobcat Company complies with the requirements of ISO 9001 as registered with BSI.

The Bobcat Attachments Advantage: Bobcat attachments are engineered and manufactured to fit Bobcat loaders for optimum job performance, dependability and durability.

- ### Bobcat Attachments for this model:
- Angle Broom*
 - Auger
 - Backhoe
 - Box Blade
 - Brushcat™
 - Rotary Cutter
 - Brush Saw
 - Buckets
 - Chipper*
 - Combination Bucket
 - Concrete Pump*
 - Digger
 - Dozer
 - Drop Hammer
 - Dumping Hopper
 - Flail Cutter
 - Forks, Utility
 - Forestry Cutter
 - Grader
 - Grapple, Industrial
 - Grapple, Root
 - Grapple, Utility
 - Hydraulic Breaker*
 - Landplane
 - Landscape Rake
 - Mower
 - Packer Wheel
 - Pallet Fork
 - Planer*
 - Rear Stabilizer
 - Scarifier
 - Scraper
 - Seeder
 - Silt Fence Installer
 - Snow Blade
 - Snow Pusher
 - Snow V-Blade
 - Snowblower*
 - Sod Layer*
 - Soil Conditioner*
 - Spreader
 - Stump Grinder*
 - Sweeper
 - Three-Point Hitch Adapter
 - Tiller
 - Tree Spade
 - Trencher
 - Utility Frame
 - Vibratory Roller
 - Water Kit
 - Whisker Broom
 - Wheel Saw
 - X-Change Frame

*Attachment Control Kit required.



Printed on 10% recycled paper



Bobcat®

Visit bobcat.com/anyjob for more information

Bobcat Company • P.O. Box 6000 • West Fargo, ND 58078